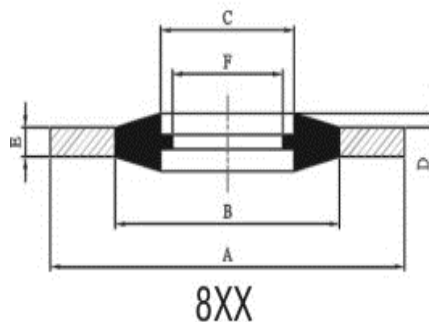
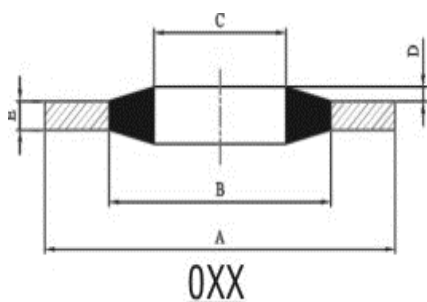


British Imperial Bonded Seals



PROGUM REF.	SIZE REF.	THREAD		A	B	C	D	E	F
		BSP	BOLT						
001	001	-	6BA	6.35	4.09	3.05	0.20/0.45	1.22	-
002	002	-	4BA	7.26	5.26	4.12	0.20/0.45	1.22	-
003	003	-	2BA	8.38	6.35	5.21	0.20/0.45	1.22	-
004	004	-	1/4	13.21	8.00	6.86	0.20/0.45	1.22	4.70
005	005	-	1/4	13.34	9.53	6.99	0.20/0.45	1.22	4.70
006	006	-	5/16	13.34	9.53	8.31	0.20/0.45	1.22	6.10
007	007	-	5/16	14.22	10.04	8.64	0.20/0.45	1.22	6.10
020	020	1/8	3/8	15.88	11.84	10.37	0.25/0.51	2.03	8.56
008	008	-	0.4	18.36	12.45	11.26	0.25/0.51	2.03	8.56
009	009	-	7/16	19.05	13.08	11.69	0.25/0.51	2.03	8.80
021	021	1/4	1/2	20.57	15.21	13.74	0.25/0.51	2.03	11.45
010	010	-	9/16	22.23	16.39	14.86	0.25/0.51	2.03	11.58
022	022	-	0.6	22.23	17.30	15.83	0.25/0.51	2.03	12.10
011	011	-	5/8	25.40	18.75	16.51	0.25/0.51	2.03	12.90
023	023	3/8	-	23.80	18.75	17.28	0.25/0.51	2.03	14.96
012	012	-	11/16	25.40	19.69	18.16	0.25/0.51	2.50	14.50
024	024	-	3/4	26.92	21.21	19.69	0.25/0.51	2.50	15.80
025A	025	1/2	13/16	28.58	23.01	21.54	0.25/0.51	2.50	18.64
026	026	5/8	7/8	31.75	24.97	23.49	0.25/0.51	2.50	20.60
013	013	-	15/16	33.27	26.04	24.26	0.25/0.51	2.50	20.20
027A	027	3/4	1.0	34.93	28.53	27.05	0.25/0.51	2.50	24.13
028	028	-	1.1/16	38.61	30.61	27.82	0.25/0.51	2.50	22.90
014	014	-	1.1/8	36.58	30.86	29.33	0.25/0.51	2.50	23.90
031	031	1.0	1.5/16	42.80	36.88	33.89	0.25/0.51	2.50	30.30
029	029	7/8	1.3/16	38.10	32.29	30.81	0.25/0.51	2.50	27.89
015	015	-	1.1/4	41.40	35.69	32.64	0.25/0.51	3.25	27.10
030A	030	1.0	1.5/16	42.80	36.88	33.89	0.25/0.51	3.25	30.30
016	016	-	1.3/8	44.45	38.99	35.94	0.25/0.51	3.25	29.50
017	017	-	1.1/2	47.75	42.04	38.96	0.25/0.51	3.25	32.70
032A	032	1.1/4	1.5/8	52.38	45.93	42.93	0.25/0.51	3.25	38.96
018	018	-	1.3/4	57.15	48.39	45.34	0.25/0.51	3.25	37.90
033A	033	1.1/2	1.7/8	58.60	51.39	48.44	0.25/0.51	3.25	44.86
019	019	-	2.0	63.50	54.74	51.69	0.25/0.51	3.25	43.60
034	034	1.3/4	2.1/8	69.85	58.30	54.89	0.25/0.51	3.25	50.80
036A	036	2.0	-	73.03	63.63	60.58	0.25/0.51	3.25	56.67
037	037	-	2.1/2	77.72	67.44	64.39	0.25/0.51	3.25	55.40
038	038	2.1/4	-	79.50	69.98	66.68	0.25/0.51	3.25	62.80
039	039	2.1/2	-	90.17	79.38	76.08	0.25/0.51	3.25	72.20
079	079	3.0	-	101.47	92.84	89.09	0.25/0.51	3.25	85.00
030	9030	1.0	-	42.80	36.88	33.89	0.25/0.51	2.50	30.30
032	9032	1.1/4	-	52.38	45.93	42.93	0.25/0.51	2.50	38.96
033	9033	1.1/2	-	58.60	51.39	48.44	0.25/0.51	2.50	44.86
036	9036	2.0	-	73.03	63.63	60.58	0.25/0.51	2.50	56.67
025	9025	1/2	13/16	28.58	23.01	21.54	0.25/0.51	2.03	18.64
027	9027	3/4	1.0	34.93	28.53	27.05	0.25/0.51	2.03	24.13